



# **intelliSit**

**Contract Seating, Components & Furniture Services**

## **Company Overview**

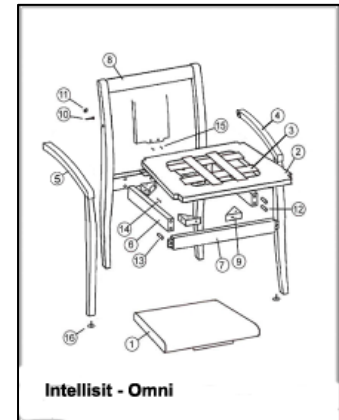


IntelliSit L.L.C. (“IntelliSit”) offers a wide range of contract and hospitality furniture components, seating kits, finished products and assembly/upholstery services.

IntelliSit is a North Carolina, Limited Liability Company headquartered in Thomasville, NC. In this facility, IntelliSit has established manufacturing, distribution and upholstery operations to service our customer base of furniture manufacturers, government industries, dealers and end users.

IntelliSit is committed to providing the market with quality products and services at competitive pricing. Our broad range of industry experience allows the Company to be a single source for contract & hospitality furniture related services.

Please contact us for all your furniture requirements. Whether you need a factory to manufacture private label seating, component parts, upholstery services or finished chairs, we are here to assist.



## **About Us**

IntelliSit LLC Principals and Partners have over one hundred years of combined experience in all facets of the contract & hospitality furniture industry. Our extensive industry experience in manufacturing, international sourcing, distribution and sales & marketing allows IntelliSit to offer turnkey furniture solutions to the market.



IntelliSit has partnered with key local suppliers in the area to produce wood sub-components for our products, plus has exclusive relationships with major international seating component manufacturers and large domestic urethane foam suppliers to expand our services. This allows IntelliSit to rapidly respond like a small company but have the combined manufacturing resources of a large corporation.

**IntelliSit LLC**

**10227 E. U.S. Hwy 64 \* Thomasville, NC 27360**

**[sales@IntelliSit.com](mailto:sales@IntelliSit.com) P. 336-883-2483 F. 336-476-0024 [www.IntelliSit.com](http://www.IntelliSit.com)**



# **intelliSit**

**Contract Seating, Components & Furniture Services**

## **Products & Services**

### **1. Seating Components & Distribution**



IntelliSit is the exclusive sales agent for Zhongwei Holding Group Sales Co., Ltd – one of the leading manufacturers of seating control mechanisms, adjustable arms, bases and casters in the world. For Zhongwei, IntelliSit manages all sales and marketing functions in the United States, Mexico and Puerto Rico.

Please visit [www.zhongwei.com](http://www.zhongwei.com) for an overview of the Company and products provided.

IntelliSit will be stocking Zhongwei products in the U.S.A. commencing the fourth quarter 2009. We can also help with container direct orders by consolidating products and assisting in international shipping logistics.

### **Reiss Industries**

IntelliSit is also proud to represent Reiss Industries. Reiss is one of the largest manufacturers of integral skin, high resilient flexible foam and rigid structural foam in the U.S. In addition, Reiss has developed urethane gel, visco elastic and enriched flexible foam formulations to meet the ever changing demands in the industry including the new BIO based formulations.

### **International Sourcing**

IntelliSit has many relationships with the most reputable seating manufacturers in China and other countries. Doing business overseas is complicated if you do not know the right connections. Product and purchasing mistakes can be very costly. If you are looking for a particular chair design or component, please let us know and we can source it for you.



**Please submit all component information and pricing requests to:**

[sales@IntelliSit.com](mailto:sales@IntelliSit.com) or call IntelliSit – Martin Nicoulin at 303-906-6564 or Kevin Zimmerman at 336- 883-2483.

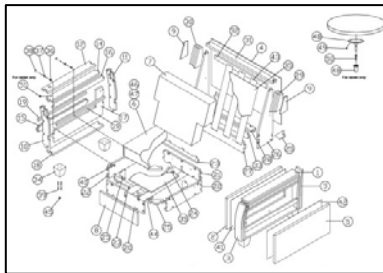
**IntelliSit LLC**  
10227 E. U.S. Hwy 64 \* Thomasville, NC 27360  
[sales@IntelliSit.com](mailto:sales@IntelliSit.com) P. 336-883-2483 F. 336-476-0024 [www.IntelliSit.com](http://www.IntelliSit.com)



# **intelliSit**

**Contract Seating, Components & Furniture Services**

## **2. OEM Seating Kits & Components -**



IntelliSit has many years of experience providing kits and components to office furniture manufacturers and State Correctional Industries. We can provide everything from the complete kit including all frame components, foam and assembly hardware - to just the individual frame pieces you might require.

All our kits are designed for commercial use. Only quality frame and foam components are used to assure our products will last for many years under normal use conditions. IntelliSit offers a wide variety of executive, guest and lounge seating in a number of styles. We can also customize products to your exact requirements.

**Private Label Manufacturing** – Need a reliable factory in North Carolina to manufacture and ship products for your Company? IntelliSit can assist you by manufacturing and assembling products to your exact specifications. Our manufacturing, finishing, upholstering, assembly and shipping services can provide a turnkey manufacturing solution.



## **3. Finished Contract & Hospitality Furniture**

IntelliSit manufactures a wide range of lounge, guest, conference and executive seating for the workplace. Since we are the direct source for all components, our value and quality is second to none when it comes to making furniture.

### **“Chairs Built to Live”™**

Our chairs are designed and built by experienced furniture craftsman with years of experience in the industry. We will not compromise our quality and product engineering to produce inexpensive chairs that will fall apart. That’s why we say IntelliSit manufactures **“Chairs Built to Live.”™**



IntelliSit offers many models of standard seating designs. We can also build custom chairs for large volume requirements. In many cases, our domestically made products are competitively priced versus imported chairs when all the costs of shipping, handling, financing etc. are included. Plus, the quality is usually superior with our products which are **Made in the U.S.A.** versus the imports.

For customer inquiries, sales representative or dealer inquiries, please contact IntelliSit at 336-883-2483 or [sales@IntelliSit.com](mailto:sales@IntelliSit.com)



# **intelliSit**

**Contract Seating, Components & Furniture Services**

## **4. Custom Upholstery Services**



IntelliSit offers professional upholstery services to the market. In some cases it makes sense to re-upholster older quality furniture versus buying new. A modern fabric can make all the difference to the design of a room and the related furniture. The foam can also be replaced so the piece sits like new.

### **Designer & Dealer Services**

If your customer has a true collectable or classical designer piece of contemporary or antique furniture, we will take great pride in assisting your efforts to bring esthetical life back to this classic piece. Whether it is a grand old heirloom, a modern day beauty like a Herman Miller Eames Lounge Chair or a Knoll Barcelona Lounge Chair, IntelliSit will be happy to assist your design efforts.



## **Contact**

**Home Office: Customer Service, Manufacturing & Distribution**

**Shipping Address:** IntelliSit L.L.C.  
10227 E. U.S. Hwy 64  
Thomasville, NC 27360

P. 336-883-3423 F. 336-476-0024

### **Purchasing & Logistics**

Kevin Zimmerman  
E. [kz@IntelliSit.com](mailto:kz@IntelliSit.com)

### **Manufacturing & Production**

Kenneth Robbins  
E. [krobbins@IntelliSit.com](mailto:krobbins@IntelliSit.com)

### **Sales & Marketing**

Martin Nicoulin  
E. [sales@IntelliSit.com](mailto:sales@IntelliSit.com)  
Cell: 303-906-6564

**IntelliSit LLC**  
10227 E. U.S. Hwy 64 \* Thomasville, NC 27360  
[sales@IntelliSit.com](mailto:sales@IntelliSit.com) P. 336-883-2483 F. 336-476-0024 [www.IntelliSit.com](http://www.IntelliSit.com)